



VOSS Fluid GmbH
Postfach 15 40
51679 Wipperfürth
Germany
Fon +49 2267 63-0
fluid@voss.net • www.voss.net

Free VOSS fluid 3D models can now be called up from an online database

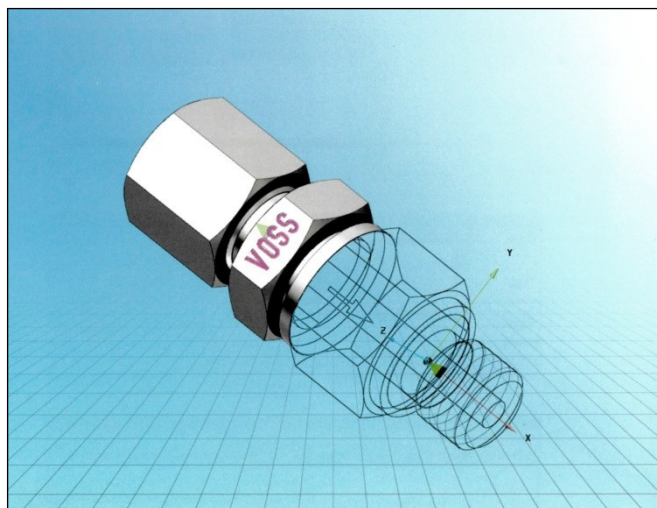
Up-to-date VOSS 3D CAD models have recently become available online for downloading. Following revision of the VOSS catalogue, our CAD data have been updated and are now available immediately.

The main innovation is that the latest version can be more easily downloaded to any location thanks to online availability.

Download access paths:

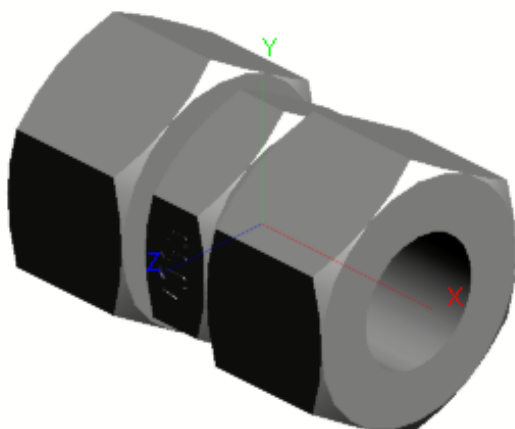
- www.voss.net/Downloads
- <http://voss.partcommunity.com/portal/portal/voss>
- www.cadenas.de
- [Catalogue download via the 3D library of your CAD program](#)

Downloading the files is quite simple. After you have registered, our 3D models are available for use in the usual manner. Simply register on one of the Internet pages listed above to be given access to all product information and 3D models, free of charge.



Another new feature is the wider selection of file formats being offered. These range from Iges and Step, to Catia, DWG Autocad and many others. In all, more than 80 file formats are at your disposal for downloading.

An additional feature called "Geometric search" makes it considerably easier to find the product you require.



Geometric search

You can start an automatic product search in the VOSS CAD catalogue on the basis of known dimensions. The search function will then recommend a suitable VOSS product. To start the search process, prepare an STL file of the desired tube connection and upload this to our CAD library. The dimensions are then compared to those of the VOSS articles in our database and you will be shown the matching search results.